

DrillVision™

Offshore & Marine Video Systems

A Southern Electronics Company

225.753.8884 www.drillvisionsystems.com



The Marine One is an exceptional integrated PTZ camera unit perfect for heavy-duty tasks and ideal to operate in the harshest and most corrosive environments, such as industrial and offshore/onshore marine applications.

Marine One requires minimum maintenance and is completely resistant to rust and corrosion, thanks to the maximum precision of the manufacturing processes and quality of the stainless steel AISI316L micro-shot peened in silicon and electropolished.

All models are available in Analog or IP version. The flexible operator control of pan/tilt/zoom functions allows the video transmission over the local area network (LAN) or over the Internet with H.264/ AVC compression, compatible with ONVIF Profile S.

An equally noteworthy point is that the IP66/IP67/IP68 ratings guarantee the complete protection against harsh weather and immersion in up to 1 meter of water for 2 hours. Moreover the IP69 rating allows the device to be cleaned with high pressure and high temperature water jets.

The Marine One is always supplied with integrated wiper; wide choice of tanks with washer pump available with different capacities and delivery heights.

The Marine One series products are Lloyd's Register Type Approval System Test Specification Number 1 certified and therefore can be used in Marine and Offshore applications for environmental categories ENV1, ENV2, ENV3 and ENV5 (eg. passenger ships, open-air decks, closed spaces and technical areas that may be subject to heat generated by other equipment, docking procedures).

Marine One

DAY/NIGHT PTZ CAMERA FOR ONSHORE/
OFFSHORE, MARINE AND INDUSTRIAL AREAS

Available in Analog or IP



CERTIFICATIONS



MAIN FEATURES

In stainless steel AISI 316L, micro-shot peened in silicon and electro-polished

Day/Night camera:

- True Progressive Scan
- High resolution: up to 550 TV Lines
- Advanced image stabiliser (Stable Zoom Mode)
- Day/Night (Auto ICR: automatic removal of IR filter)

Up to 2 simultaneous video streams (IP-based version)

Variable speed: from 0.1°/s up to 100°/s Pan and Tilt

Position accuracy: 0.02°

Pre-wired multipolar cable (3m (9.8ft))

Integrated wiper

Total control of the auxiliary functions through the Videotec PTZ ASSISTANT (IP-based version)

Operating temperature: from -40°C (-40°F) up to +60°C (140°F)

Protection degree: IP66, IP67, IP68, IP69

Marine Certification: Lloyd's Register Marine Type Approval

Options:

- IP-based control, H.264/AVC and JPEG, 25fps, Full D1 (compatible with ONVIF protocol, Profile S)

Technical Data

TECHNICAL DATA

GENERAL

Dynamic positioning control system

16-character string for zone and preset titling

Maximum number of presets: 250

Functions: Autopan, Preset, Patrol, Tour (maximum 3), Autoflip

MECHANICAL

AISI 316L stainless steel construction

External surfaces micro-shot peened in silicon and electro-polished

Pre-wired multipolar cable (3m (9.8ft))

Horizontal rotation: 360°, continuous rotation

Vertical rotation: from -90° up to +90°

Horizontal speed (variable): from 0.1°/s up to 100°/s

Tilt speed (variable): from 0.1°/s up to 100°/s

Accuracy of preset positions: 0.02°

Integrated wiper

Housing window

- Material: Glass
- Thick: 6mm (0.24in)

Unit weight: 20.5kg (45lb)

ELECTRICAL

Supply voltage/Current consumption:

- 230Vac, 0.5A max, 50/60Hz
- 24Vac, 5A max, 50/60Hz
- 120Vac, 1A max, 50/60Hz

Power consumption:

- 120W
- 29W, P&T static, heating switched off

NETWORK

Ethernet connection (only for the IP versions of the product): 10BASE-T/100BASE-T

Connector: RJ45

Cable length: 100m max

SERIAL COMMUNICATIONS

Configuration through OSM

2 half-duplex serial RS-485 interfaces or full-duplex RS-422

Firmware updating from console in remote mode (PELCO D, MACRO)

Up to 999 units, addressable by means of dip-switches

Serial communication protocol: AMERICAN DYNAMICS, ERNITEC, PANASONIC, PELCO D, MACRO

VIDEO

Analog version:

- 1 video output, 75 Ohm, 1Vpp (PAL/NTSC)

IP version:

Video encoder

- Communication protocol: ONVIF, Profile S
- Device configuration: TCP/IPv4-IPv6, UDP/IPv4-IPv6, HTTP, NTP, DHCP, WS-DISCOVERY, QoS, IGMP (Multicast)
- Streaming: RTSP, RTCP, RTP/IPv4
- Video compression: H.264/AVC, MJPEG
- Independent video streams: 2
- Image resolution: from Full D1 (720x576 for PAL, 720x480 for NTSC) to 352x240
- Web Server

I/O INTERFACE

I/O alarm board:

- Alarm inputs: 5
- Relay outputs: 2 (1A, 30Vac/60Vdc max)

ENVIRONMENT

For installation indoors and outdoors

Operating temperature: from -40°C (-40°F) up to +60°C (140°F)

Surge immunity: up to 2kV line to line, up to 4kV line to earth (Class 4)

CERTIFICATIONS

Electrical safety (CE): EN60950-1, IEC60950-1

Electromagnetic compatibility (CE): EN61000-6-4, EN61000-3-2, EN61000-3-3, EN50130-4, EN55032 (Class A)

Outdoor installation (CE): EN60950-22, ICE60950-22

IP protection degree (EN60529): IP66, IP67, IP68, IP69

EAC certification

UL certification (UL60950-1, CAN/CSA C22.2 No. 60950-1-07): cULus Listed (only for 24Vac version)

Electromagnetic compatibility (North America): FCC part 15 (Class A), ICES-003 (Class A)

Level of protection Type (UL50E): 4X (only for 24Vac version)

CERTIFICATIONS - MARINE APPLICATIONS

Lloyd's Register Marine Type Approval certification (the 24Vac and 120Vac versions require a filter accessory FM1010):

- Test Specification Number 1 (ENV1, ENV2, ENV3, ENV5)

Electromagnetic compatibility: EN60945

Salty fog resistance: EN60068-2-52

Tested at 70°C (158°F) for 16 hours in compliance with EN60068-2-2

DrillVision™

Offshore & Marine Video Systems

A Southern Electronics Company

225.753.8884 www.drillvisionsystems.com



Technical Data



ANALOGUE CAMERAS (DAY/NIGHT)		
	Day/Night 36x	
	PAL	NTSC
Optical zoom	36x	
Wide Dynamic Range (ON, OFF, Auto)	✓	
True progressive SCAN	✓	
Digital image stabilisation	✓	
White balance	Auto, ATW, Indoor, Outdoor (Fix/Auto), Sodium Vapor Lamp (Fix/Auto), Manual	
High horizontal resolution	Up to 550 TV Lines	
Day/Night (Auto ICR)	✓	
Image Sensor	1/4" EXView HAD CCD	
Number of effective Pixels	~ 440000 pixel	~ 380000 pixel
Min. Lighting Colour (IR-Cut Filter = OFF) (Interlace Mode)	1.4Lux / 1/50s 0.1 Lux / 1/3s	1.4Lux / 1/60s 0.1 Lux / 1/4s
Min. Lighting B/W (Interlace Mode)	0.01 Lux / 1/3s	0.01 Lux / 1/4s
"Shutter Time" automatic increase to improve the night surveillance	✓	
S/N ratio	More than 50dB	
AE control	Automatic, Shutter priority, Diaphragm priority, Brightness priority and Manual	
Back light compensation	On/Off	
Spherical masking (3D) of Privacy zones with automatic upgrade	✓	
Privacy Zone Masking	On/Off (24 positions)	
Maximum number of masking blocks to be displayed	8	
Resolution of masking blocks	160x120 HxV	
Masking	Up to 15 different masking types: 14 colour types or mosaic	
Focusing system	Auto (Sensitivity: Normal, Low), Trigger PTZ, Manual	
"Smart" lens control	Automatic Lens Reset	
High Zoom and Wide Horizontal Field of View Capability	✓	
Optical zoom	36x, f=3.4 (wide) to 122.4mm (tele) / F1.6 to F4.5	
Digital Zoom	12x (432x with optical zoom)	
Horizontal field of view	57.8 degrees (wide) to 1.7 degrees (tele)	
Minimum object distance	10mm (0.4in) (wide) to 1500mm (59.1in) (tele)	
Shutter speed	1/1 ÷ 1/10000s	

DrillVision™

Offshore & Marine Video Systems

A Southern Electronics Company

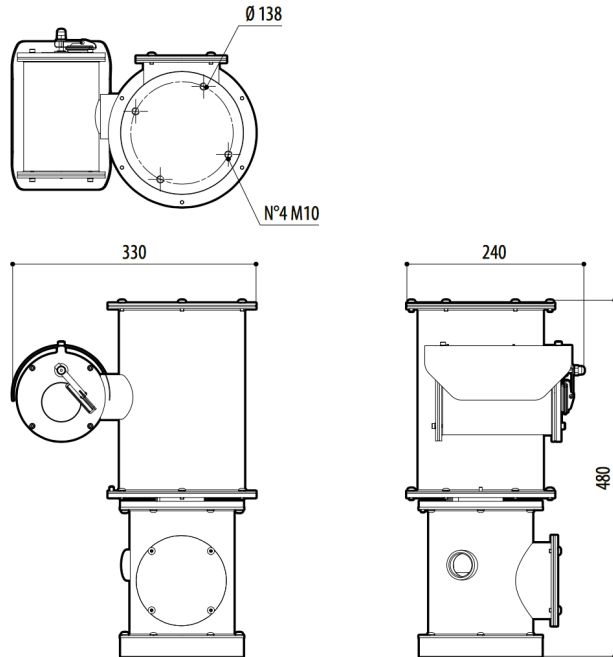
225.753.8884 www.drillvisionsystems.com



Drawings & Accessories

TECHNICAL DRAWINGS

The indicated measurements are expressed in millimetres.



ACCESSORIES

WASPTOV5L5M00	Water tank 5l (1.3gal), pump with delivery up to 5m (16ft), IN 230Vac-24Vac-120Vac
WASPTOV23L5M00	Water tank 23l (6 gal), pump with delivery up to 5m (16ft), IN 230Vac-24Vac-120Vac
WASPTOV23L11M00	Water tank 23l (6 gal), pump with delivery up to 11m (36ft) with water floating, IN 230Vac-24Vac-120Vac
WASPT1V23L30M00	Water tank 23l (6 gal), pump with delivery up to 30m (98ft) with water floating, IN 230Vac
WASPT3V23L30M00	Water tank 23l (6 gal), pump with delivery up to 30m (98ft) with water floating, IN 120Vac
WASN1V10L20M00	Tank 10l (2.6gal) with integrated manual pump controlled by solenoid valve, delivery head up to 20m (66ft) max, IN 230Vac
WASN2V10L20M00	Tank 10l (2.6gal) with integrated manual pump controlled by solenoid valve, delivery head up to 20m (66ft) max, IN 24Vac

WASN3V10L20M00	Tank 10l (2.6gal) with integrated manual pump controlled by solenoid valve, delivery head up to 20m (66ft) max, IN 120Vac
FM1010	EMC filter for Marine certification

BRACKETS AND ADAPTORS

NXPTZWB	AISI 316L stainless steel wall bracket
NXPTZTW	AISI 316L stainless steel parapet or ceiling mounting bracket
NXPTZCOL	AISI 316L stainless steel pole adapter module
NXPTZCW	AISI 316L stainless steel corner adapter module

PACKAGE

Model Number	Weight	Dimensions (WxHxL)	Master carton
NXPTZ1PVW000A	25kg (55lb)	54x31x49cm (21x12x19in)	-

DrillVision™

Offshore & Marine Video Systems

A Southern Electronics Company

225.753.8884 www.drillvisionsystems.com

