

DrillVision™

Onshore, Offshore, Facilities, Pipelines

A Southern Electronics Company

2301 Julia St.
New Orleans, LA 70119
225.753.8884

www.drillvisionsystems.com

Maximus IVC Class 1 Div1 Explosion-proof HD Camera

With Pan/Tilt/30x Zoom

1080P

316L Stainless

Certified Class 1 Division 1



**Driller's
Choice!**



Rugged, IP HD video camera for hazardous environments

The APTZ-3045-07 is a high quality, high-definition color video camera with outstanding low-light performance. The camera has a 30x motor-driven optical zoom and delivers 1080p HD video. This high performance camera automatically switches to black and white and

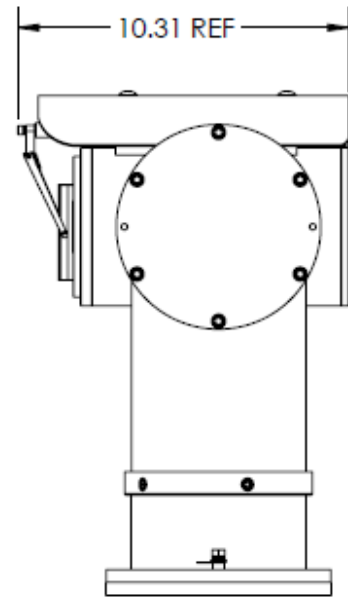
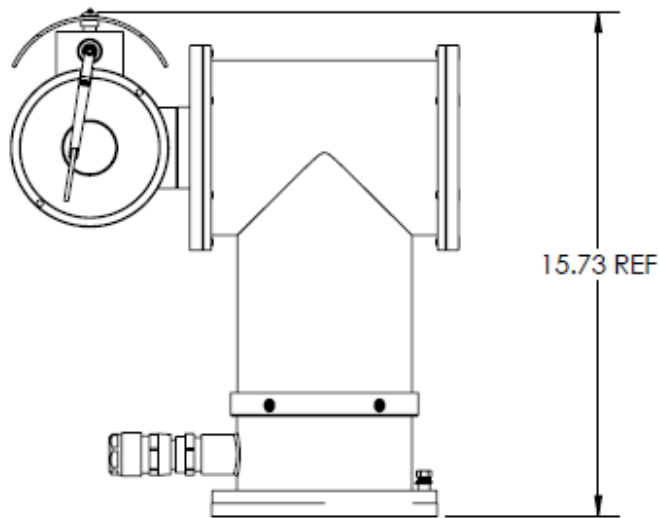
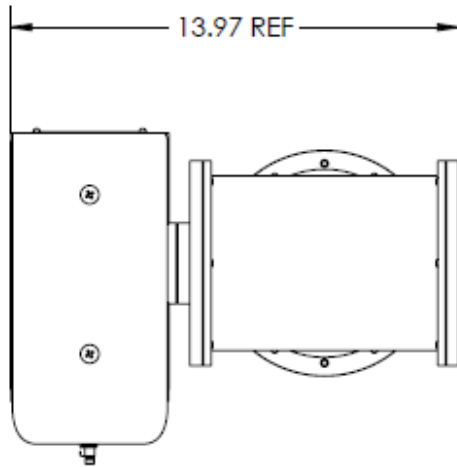
removes an IR cut filter to increase sensitivity in low light conditions.

The camera is housed in a 316L stainless-steel enclosure certified for Class I Division 1, groups B, C, and D. The camera only requires power and an IP connection.

Specifications

| | |
|------------------------------|--|
| Imager | 1/2.8" CMOS |
| Shutter | 1/25 to 1/10,000 seconds |
| Minimum Illumination | Color: 0.05 Lux B/W: 0.02 Lux |
| White Balance | Auto and Manual |
| Iris | Auto and Manual |
| Focus | Auto and Manual |
| View Angle | 2.34° - 59.8° |
| Focal Length | 4.5 – 144.0 mm |
| F-number | 1.6 - 4.8 |
| Zoom ratio | 30x Optical |
| Pan Angle | 360° |
| Pan Speed | 40° per second |
| Tilt Angle | -90° to 90° (180° view range) |
| Tilt Speed | 40° per second |
| Frame Rate | 30 FPS |
| Ethernet | 100BASE-T (RJ-45)** |
| Protocols | IPv4, TCP/IP, UDP, HTTP, RTP/ RTCP/RTSP, FTP, DDNS, NTP, IGMP, ICMP |
| Resolution | 1920 x 1080 |
| Weight | 48.5 lbs. |
| Voltage Required | 90 - 240 VAC** |
| Current | ≤ 500mA |
| Operating Temperature | -25° to 50° C |
| Dimensions | 15.73" H x 13.97" W x 10.31" D |
| Mount | Pedestal |
| Protection Class | NEMA TYPE 4 |
| Approvals | Class I Division 1 Groups B, C, & D T6 Tamb +50°C (+122°F) Class I Zone 1 Group IIB H2 |

Drawings



DrillVision™

Onshore, Offshore, Facilities, Pipelines

A Southern Electronics Company

2301 Julia St.
New Orleans, LA 70119
225.753.8884

www.drillvisionsystems.com