

Maximus HD Brackets & Mounts

Technical data and drawings

Wall Mount Adapter

Made of AISI 316L electropolished stainless steel

Load rating: 40kg (88lb)

Length: 400mm (15.7in)

Can be coupled with modular components (MPXCW, MPXCOL).

MECHANICAL

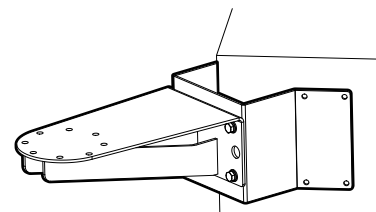
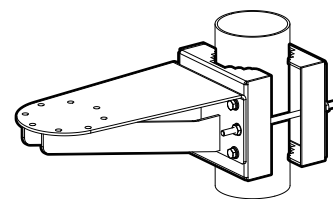
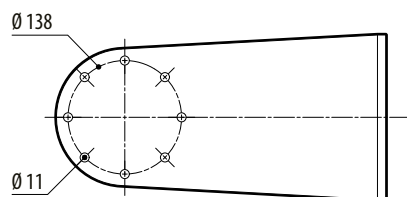
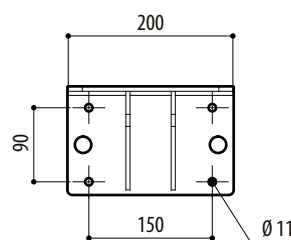
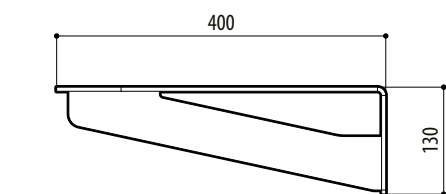
Made of AISI 316L electropolished stainless steel

Load rating: 40kg (88lb)

Length: 400mm (15.7in)

Can be coupled with modular components: MPXCW, MPXCOL

Unit weight: 5.2kg (11.5lb)



Pole Mount Adapter

Made of AISI 316L electropolished stainless steel

For pole diameters: from 110mm (4.3in) up to 150mm (5.9in)

Load rating: 50kg (110lb)

Dimensions: 198x182mm (7.8x7.2in)

MECHANICAL

Suitable for MHXWBS

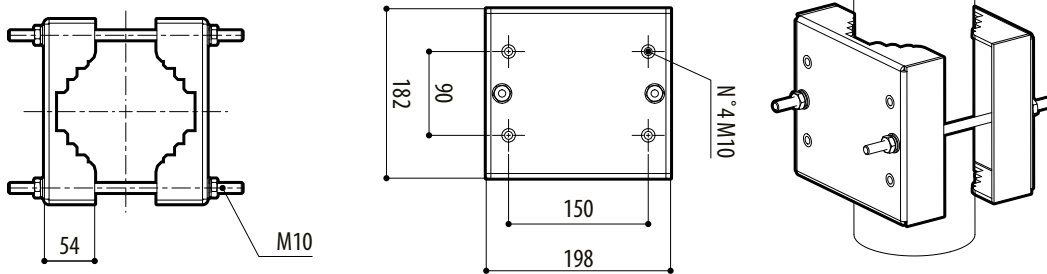
Suitable for MPXWBA

Made of AISI 316L electropolished stainless steel

For pole diameters: 110-150mm (4.3-5.9in)

Load rating: 50kg (110lb)

Unit weight: 4.5kg (9.9lb)



Corner Mount Adapter

Made of AISI 316L electropolished stainless steel

Load rating: 50kg (110lb)

Dimensions: 335x186mm (13.2x7.3in)

Suitable for: MPXWBA, MHXWBS

MECHANICAL

Suitable for MPXWBA

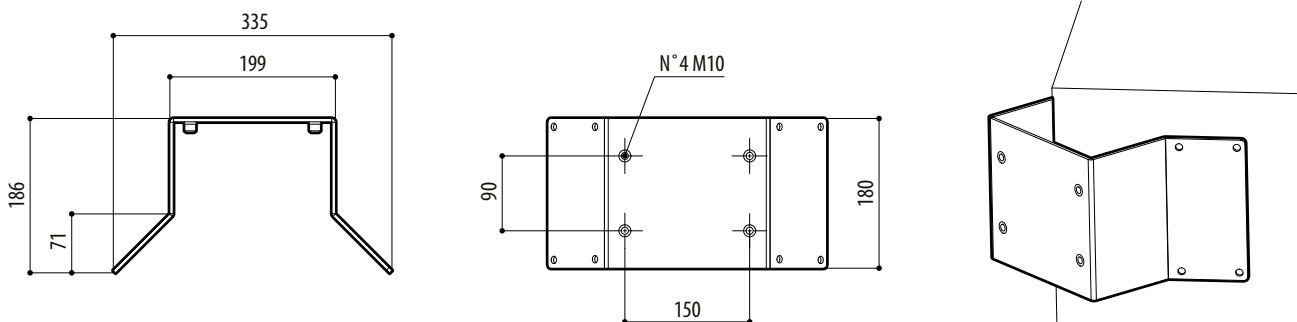
Suitable for MHXWBS

Made of AISI 316L electropolished stainless steel

Load rating: 50kg (110lb)

Dimensions: 335x186mm (13.2x7.3in)

Unit weight: 3.6kg (7.9lb)



DrillVision™

Onshore, Offshore, Facilities, Pipelines

Parapet or Ceiling Mounting Bracket

Made of AISI 316L electropolished stainless steel

Load rating: 40kg (88lb)

Dimensions: Ø 238mm (9.4in)

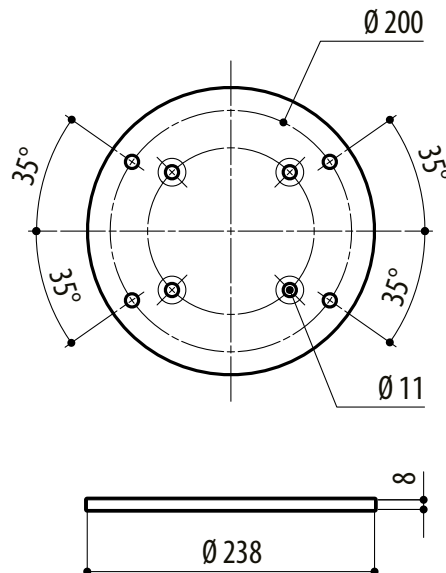
MECHANICAL

Made of AISI 316L electropolished stainless steel

Load rating: 40kg (88lb)

Dimensions: Ø 238mm (9.4in)

Unit weight: 2.8kg (6.2lb)



DrillVision™

Onshore, Offshore, Facilities, Pipelines

A Southern Electronics Company

2301 Julia St.
New Orleans, LA 70119
225.753.8884

www.drillvisionsystems.com