

DrillVision

17" Touchscreen Monitor for Safe Areas



This 17-inch standard format touchscreen monitor is designed, developed and built to provide a space-saving and cost-effective touch solution.

The monitor can function as a desktop or wall-mounted unit and includes a VESA mounting option. The touchscreen is factory-sealed against dirt, dust, and liquids and with controls on the side rather than the front, the touchscreen can be locked-out for public use.

DrillVision™

Onshore, Offshore, Facilities, Pipelines

A Southern Electronics Company

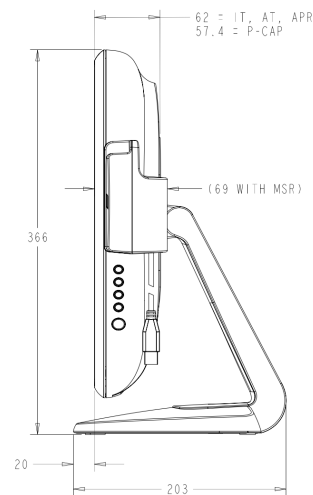
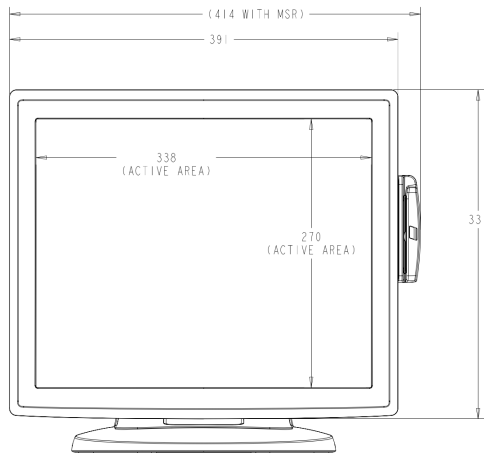
2301 Julia St.
New Orleans, LA 70119
225.753.8884

www.drillvisionsystems.com

Specifications:

Specifications	
Model	1715L
Color	Dark gray
Active Display Area	13.3" x 10.6" (338mm x 270mm)
Monitor Dimensions	15.4" x 14.4" x 8.0" (391mm x 366mm x 203mm)
LCD Technology	Active Matrix TFT LCD with LED backlighting
Diagonal Size	17"
Native Resolution	1280 x 1024
Other Supported Resolutions	1280 x 1024 @ 60 or 75 Hz; 1280 x 960 @ 60 Hz; 1152 x 864 @ 75 Hz; 1024 x 768 @ 60, 65 Hz, 70 or 75 Hz; 832 x 624 @ 75 Hz; 800 x 600 @ 56, 60, 72 or 75 Hz; 720 x 400 @ 70 Hz; 720 x 350 @ 70 Hz; 640 x 480 @ 60, 66 Hz, 72 or 75 Hz
Number of Colors	16.7 million
Number of Touches	Single-touch
Brightness (typical)	LCD panel: 250 nits; IntelliTouch: 225 nits; AccuTouch: 200 nits
Response Time - Total (typical)	5 msec
Viewing Angle (from center)	Horizontal: ±85° or 170° total; Vertical: ±80° or 160° total
Contrast Ratio (typical)	1000:1
Input Video Format	Analog VGA
Input video Signal Connector	15-pin female D-sub
Input Frequency	Horizontal: 31.5-80 kHz; Vertical: 56.3-75 Hz
Power: AC Input	Input Connector: IEC 60320 C6; Input voltage range: 100-240VAC 50/60Hz; Power Consumption (Typical): 21W
Power: DC Input	Input Connector: Coaxial power jack (Barrel inner diameter: 6.4 ±0.3mm). Pin outer diameter: 2.0 +0.0 -0.1mm. Barrel depth: 8.8 ±0.3mm); Input Voltage range: 12V ±5%; Power Consumption (monitor only-Typical): 17W; Power Consumption (monitor + AC/DC adapter-Typical): 21W
Shipping Dimensions	17.99" x 11.42" x 17.32" (457mm x 290mm x 440mm)
Temperature	Operating: 32°F to 104°F (0°C to 40°C); Storage: -4°F to 122°F (-20°C to 60°C)
Humidity	Operating 20%-80%; Storage 10%-90% noncondensing
Weight (approx.)	Actual: 15.2lb (6.9kg); Shipping: 21.2lb (9.6kg)
Regulatory Approvals and Declarations	North America/ Worldwide: UL, cUL ,S, MPR II, FCC, CE, VCCI, IC, C-TICK. Asia Models: UL, cUL ,S, MPR II, FCC, CE, VCCI, IC, C-TICK, KC, CCC, BSMI, China RoHS
User's Controls	Digital OSD. OSD buttons: menu, up, down, select, power; OSD: contrast, brightness, H/V position, RGB (color temp), clock, phase, recall, Language (English, German, Spanish, Japanese, French); OSD disable/enable: power, OSD menu
Mounting Options	Removable base, 100 mm VESA mount; threaded-through mounting holes under base
Warranty	3 years
MTBF	50,000 hours demonstrated
What's in the Box	QIG, User Manual CD, VGA cable, serial cable (attached if support combo), power cord, USB cable

Dimensions:



DrillVision™

Onshore, Offshore, Facilities, Pipelines

A Southern Electronics Company

2301 Julia St.
New Orleans, LA 70119
225.753.8884

www.drillvisionsystems.com