

# DrillVision Rugged Server

Driller's Servers for any application!



## Rugged Harsh Environment Server



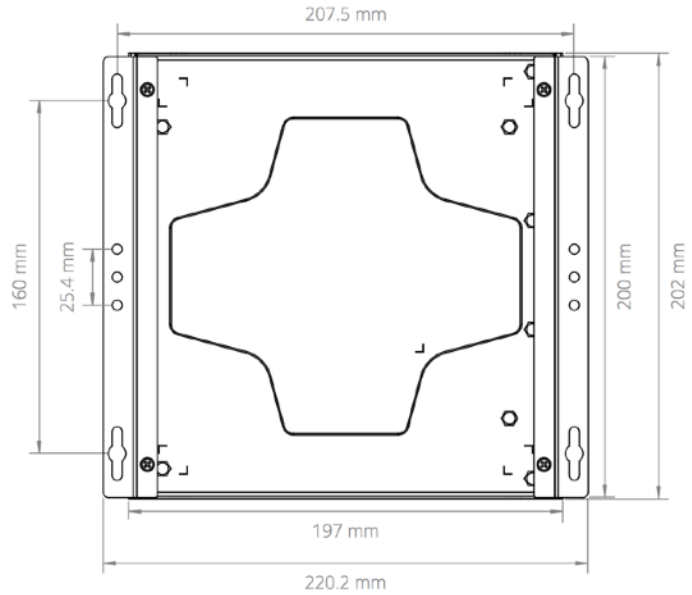
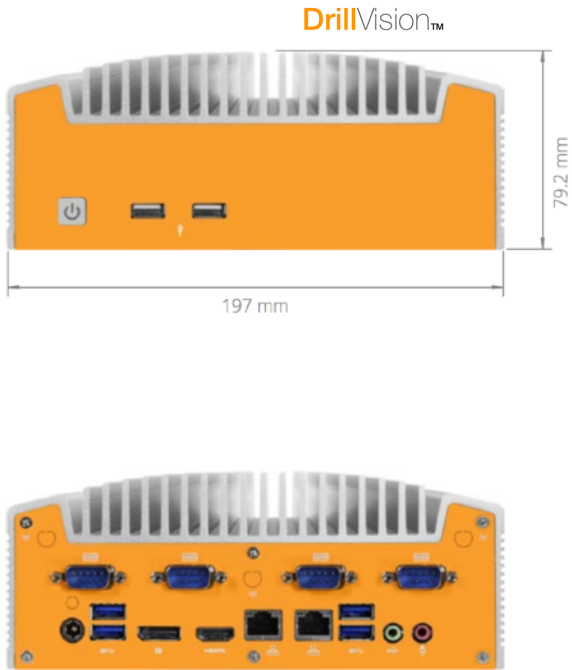
DrillVision™'s Harsh Environment Server is a tough, video recording PC that is designed to go wherever you need it and is manageable from wherever you are. Hardened out-of-the-box, it's designed to withstand extreme temperature conditions from 0°C to 50°C (32°F to 122°F) without requiring additional heating or air conditioning systems.

The system is designed to operate in environments where other computers would struggle. The fanless nature of the system protects it from dust, airborne particles and even chemical or moisture ingress. The lack of a fan, along with solid state storage, means that this server has no moving parts, making the system extremely shock and vibration resistant. All of these factors combine to create a server that's purpose-built for 24/7 operation.

## Specifications

<b>Front I/O</b>	2 USB 2.0 ports Power button	<b>Memory Capacity</b>	Up to 32 GB
<b>Rear I/O</b>	1 HDMI port 1 DisplayPort 2 Gb LAN ports 4 COM ports 4 USB 3.0 ports 2 Audio jacks; line-out, mic-in	<b>Memory Speed</b>	2133 MHz
<b>Processor</b>	Intel Celeron, Pentium, Core i3/i5/i7	<b>LAN Controller</b>	Intel I210 GbE Intel I219 GbE
<b>Processor Speed</b>	2.3 ~ 3.3 GHz	<b>Input Voltage</b>	12 V
<b>Processor Generation</b>	Kaby Lake, Skylake	<b>Power Input</b>	DC Jack
<b>Processor Cores</b>	2 ~ 4	<b>Operating Temp. Range</b>	0 ~ 50°C
<b>Graphics/GPU</b>	Intel HD Graphics	<b>Dimensions (WxHxD)</b>	197 x 79.2 x 202 mm 7.76" x 3.12" x 7.95"
<b>Memory Type</b>	DDR4 SO-DIMM (non-ECC)	<b>Case Material</b>	Steel With Aluminum Extrusion
		<b>Mounting Options</b>	DIN-mount Wall-mount

# Dimensional Drawings



Optional  
Rugged  
Enclosure



**DrillVision™**

Onshore, Offshore, Facilities, Pipelines

*A Southern Electronics Company*

2301 Julia St.  
New Orleans, LA 70119  
225.753.8884